


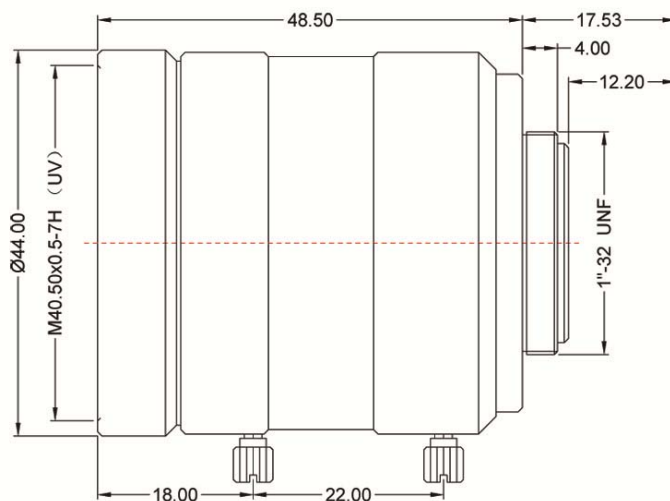
5 Megapixel SWIR Prime Lens C-Mount Fixed-Focal for SWIR Cameras

SP-SWIR3514MCB

[SPECIFICATIONS]

	Resolution (MFT)	100lp/mm			
	Image Format	Ø13 > 2/3"			
	Focal Length	35 ± 5%mm			
	Aperture(F/No)	F1.4 ~ 16			
	Mount	C-Mount			
	Angle of View (°)	2/3"	1/2"	2/3"	
	D X H X V (°)	D	°	°	°
		H	14.4°	11.80°	10.50°
		V	10.8°	8.80°	7.90°
	Optical Distortion (TV)	<-0.05%			
	M.O.D.	0.25m - ∞			
	Flange Back Focal Length	17.526mm(in air)			
	Back Focal Length	mm(in air)			
	Mechanical Back Focal Length	mm(in air)			
	Operation	Iris	Manual		
		Focus	Manual		
		Zoom	/		
	Working Wavelength	900 - 1700nm			
Filter Size	M40.5 x 0.5P				
Structure	Aluminium Alloy + 8G				
Dimension	Ø44.0 × 48.50mm				
Weight	Approx. 178g				
Operating temperature	-30°C ~ +70°C				

[DIMENSIONS]



Size tolerance (mm)	0-10 ± 0.05	10-30 ± 0.10	30-120 ± 0.20
Angle tolerance	± 2°		

All data subject to change without notice

09/15/15 Megapixel ITS Lens Rev A

<http://www.superiorcctv.com> or <http://www.superiorcctv.cn>

Fuzhou Superior® Electronic and Technology Co.,Ltd. - 福州思普锐电子科技有限公司

1 / 1

10/F · Changan Building · No.20 East Yangqiao Rd · Fuzhou · Fujian Province · China · Zip Code 350001 中国 · 福建 · 福州

Tel: +86(591)-8379-6881 · Fax: +86(591)-8379-6882 · Email: info@superiorcctv.com or sales@superiorcctv.com